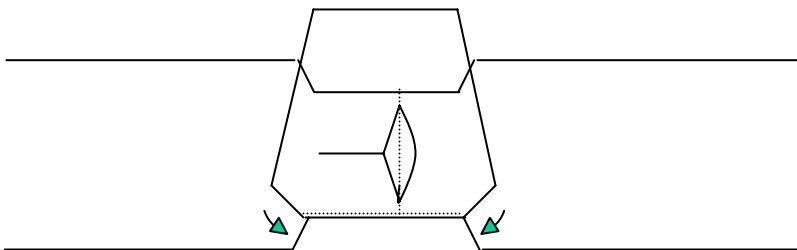


K'tonet (Shirt) Assembly

To help us assemble the shirt with holy intent, we say the following

We clothe you in our common cloth. May you enter the earth as a child, returning to the heart of your mother. May your soul be free to merge with the Eternal.

Open the shirt body piece 'outside' up, and place the wide edge of the shirt sleeve along the side edge of the shoulder of the shirt, with the center line of the sleeve pinned to the fold line at the top of the shoulders. Gather the excess length of the long edge of the sleeve to fit the line of the body of the shirt. Sew the sleeve to the body piece; repeat on other side.

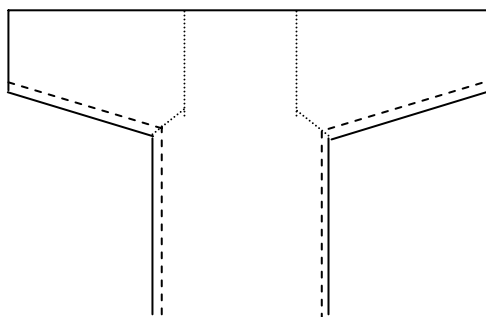


Turn the exposed seams to the outside, folding the garment at the shoulder line and matching the sleeves at the underarm edges and the body of the shirt at the sides. Sew side seams and underarms, saying this blessing:

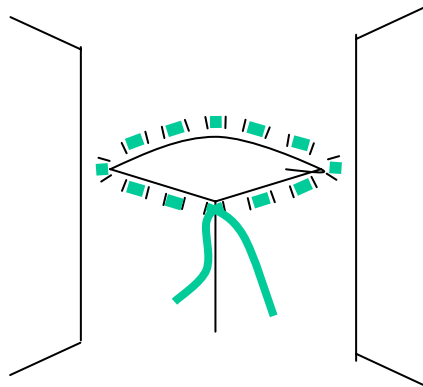
נברך את עין החיים יוצרת הגוף כלי הנשמה

Nevarech et eyn ha'chayim yotzeret haguf k'li hashema.

We bless the source of life which creates the body, vessel of the soul



Shirt neckline



Fold along shoulder line and center front; then (through four layers) make 6 symmetrical slits perpendicular to the neckline (total of 12 front and 12 back). Thread neckline tie as in diagram.

Upon completing the garment say:

שׁוֹשׁ אֲשִׁישׁ בִּיהוּהַ תִּגְלַנְפְּשִׁי בְּאֱלֹהֵי כִי הִלְבִּישָׁנִי בְּגָדֵי-יֵשַׁח

Sos assis b'Adonai, tagel nafshi, b'Elohai, ki hilbishani bigdey yeshah

I will greatly rejoice in the Eternal, my soul shall be joyful in my G-d. For G-d has clothed me with garments of salvation. (Isaiah 61:10)